

INTERMEDIATE RELAY



- **Compact and reliable intermediate relay.**
- **High dielectric strength and durable construction.**
- **Manual test button for contact operation (Green: DC, Orange: AC).**
- **Mechanical and LED status indicators.**
- **Locking clip for testing and maintenance.**
- **DIN rail or panel mounting options.**



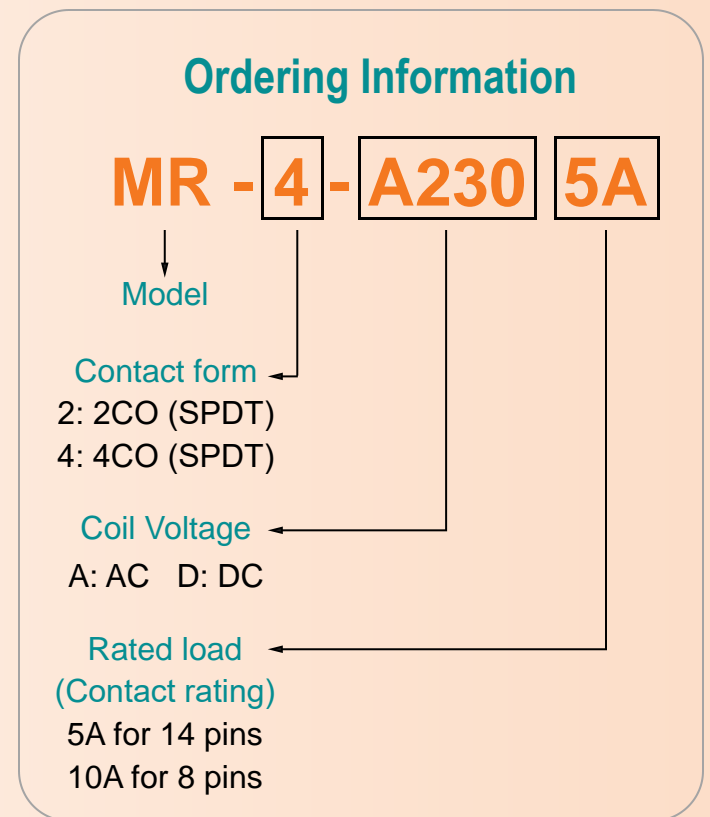
Model MR



Technical Specification

General Characteristics

Type	Electromagnetic Intermediate Relay
Terminal type	Plug-in
Contact material	Silver alloy
Contact resistance	≤ 50mΩ
Operate/Release time	≤ 20ms
Insulation resistance	≥ 500mΩ (500VDC)
Electrical/Mechanical life	≥ 100.000 times / 10.000.000 times
Operating temperature	-25°C ~ 55°C
Humidity	35~85% RH
Atmospheric pressure	86~106 KPa
Dimension (WxHxD)	21 x 42.5 x 27 (mm)
Weight	32~33g
Suitable socket	PYF



Technical data

Model	MR-2-A230	MR-4-A230	MR-2-D24	MR-4-D24
Number of pins	8 pins	14 pins	8 pins	14 pins
Coil voltage	230VAC	230VAC	30VDC	30VDC
Contact configuration	2NO+2NC	4NO+4NC	2NO+2NC	4NO+4NC
Contact rating	10A	5A	10A	5A

DC Coil Data

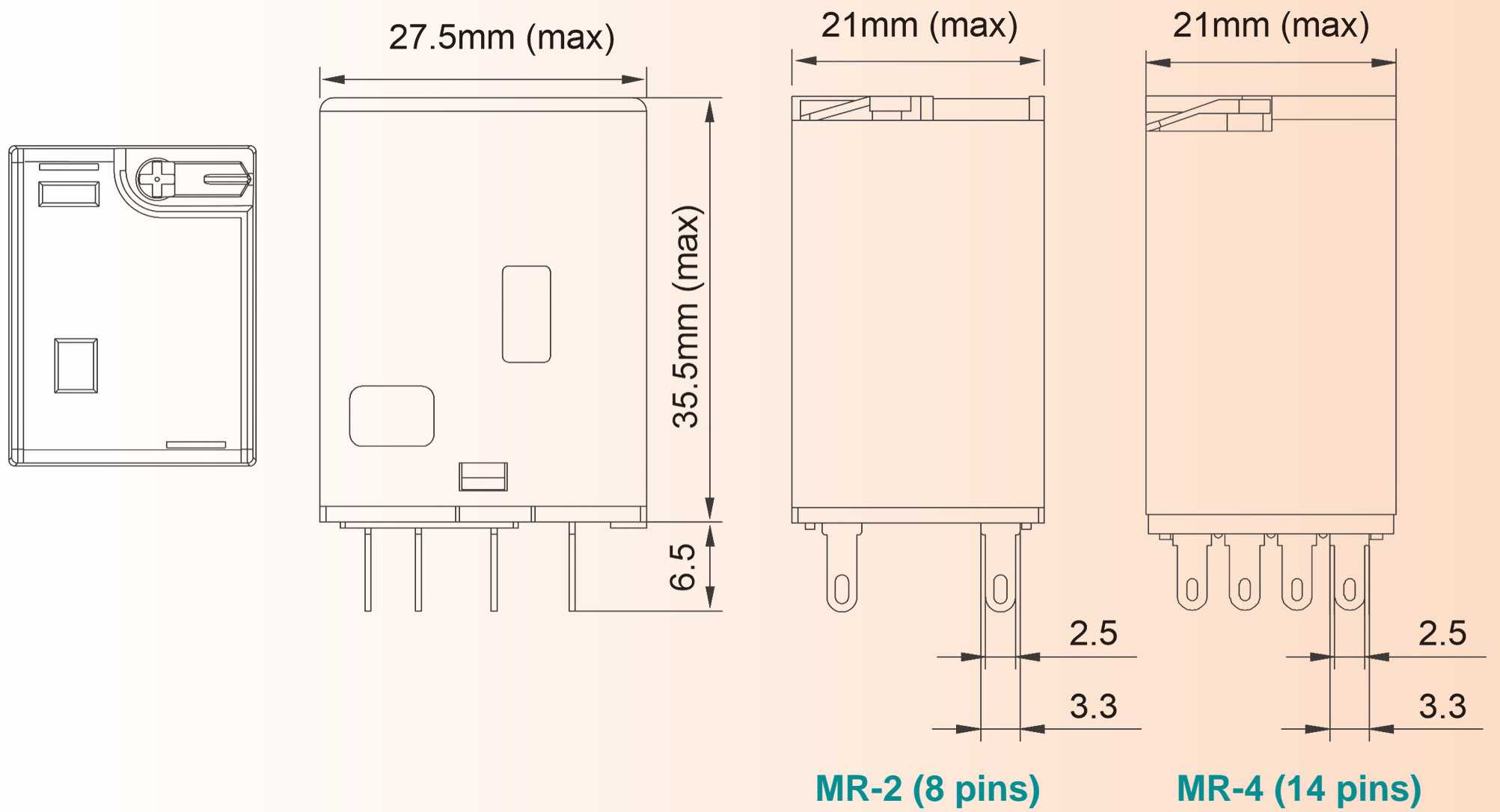
Rated Voltage VDC	Pickup Voltage VDC	Dropout Voltage VDC	Coil Resistance Ω±10%
5	4.0	0.5	0.5
6	4.8	0.6	0.6
12	9.6	1.2	1.2
24	19.2	2.4	2.4
48	38.4	4.8	4.8
110	88.0	11.0	11.0

AC Coil Data

Rated Voltage VDC	Pickup Voltage VDC	Dropout Voltage VDC	Coil Resistance Ω±10%
6	4.80	1.80	10.5
12	9.60	3.60	46.5
24	19.2	7.20	192
48	38.4	14.4	783
110 / 120	88.0	33.0	4000
220 / 240	176.0	66.0	15000

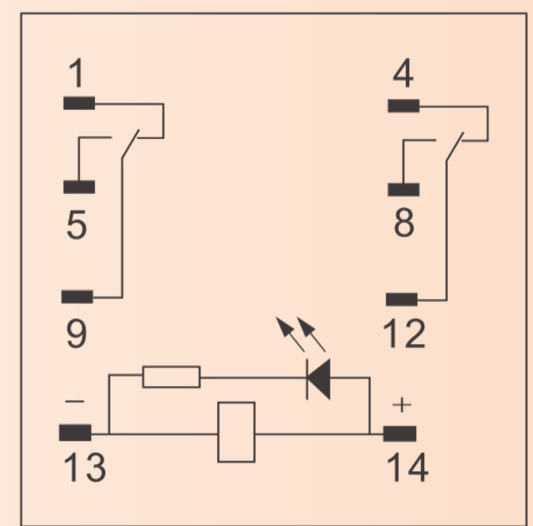
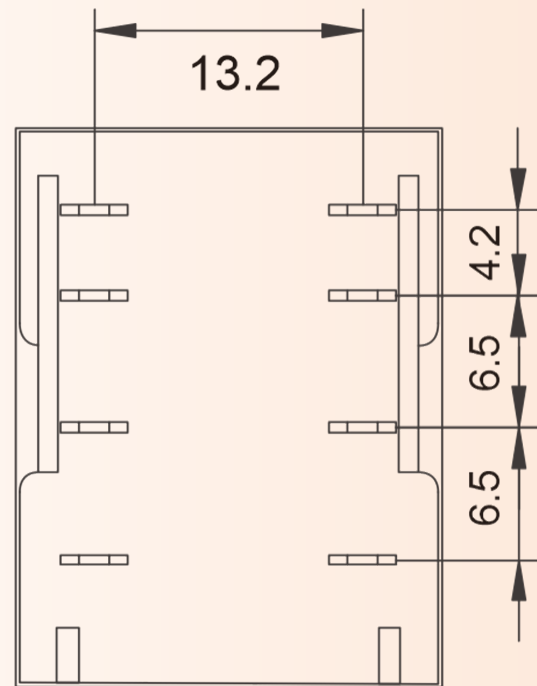
PRODUCT CATALOGUE

■ Dimensions (mm)

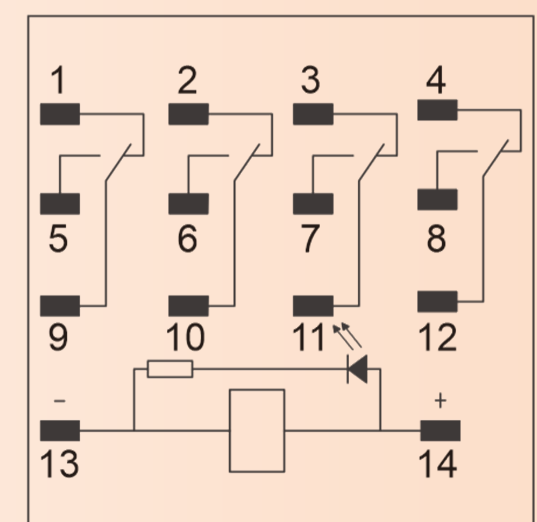
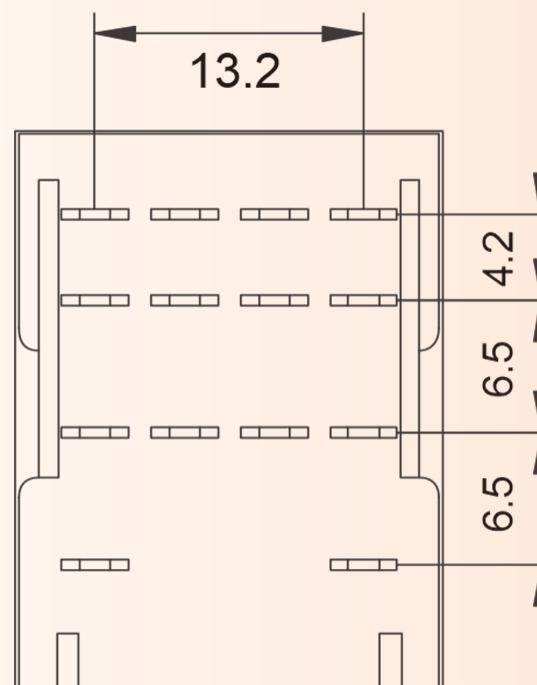


■ Wiring Diagrams

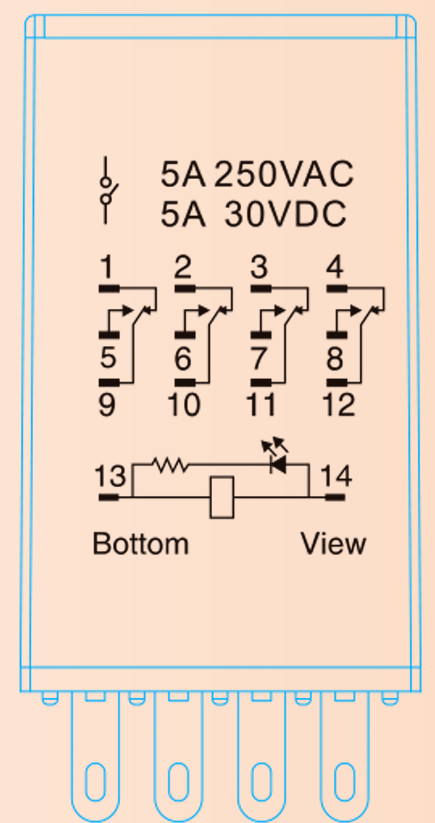
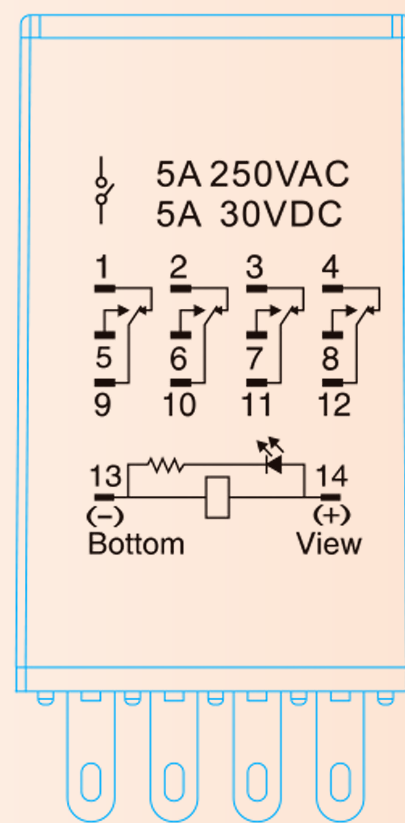
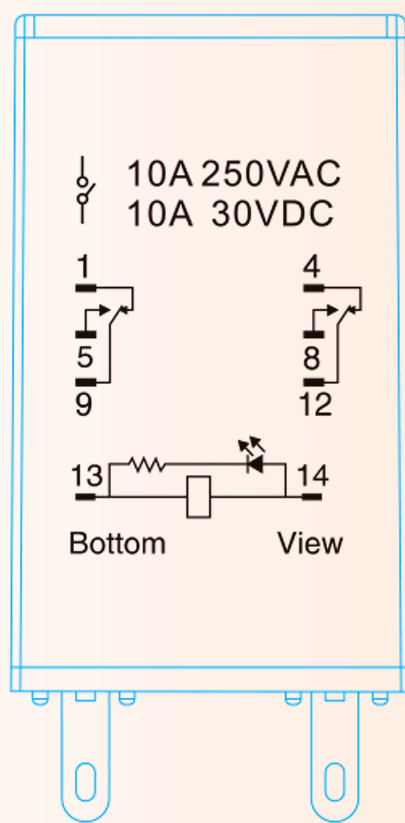
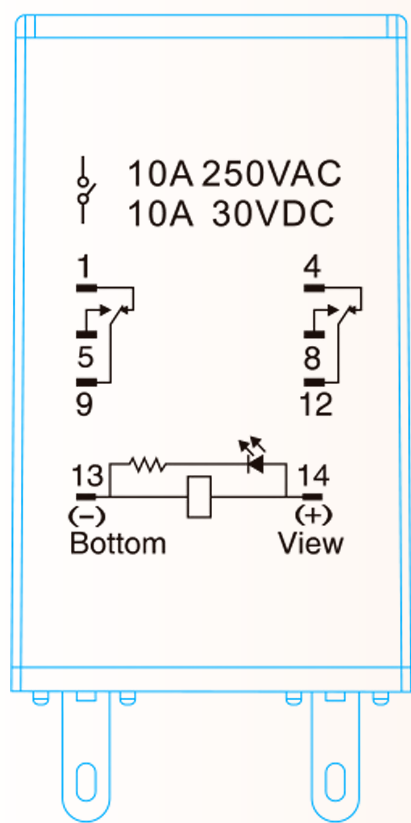
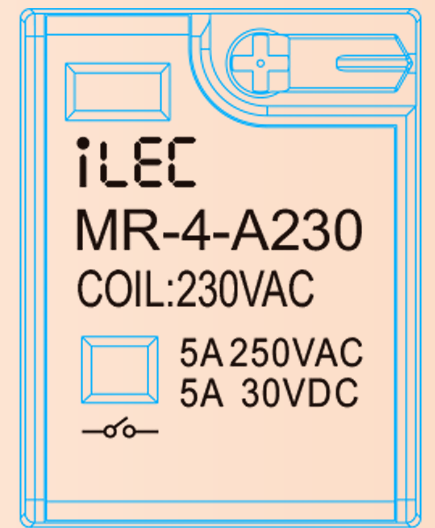
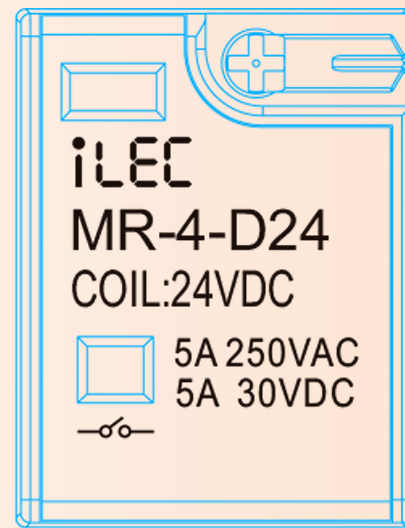
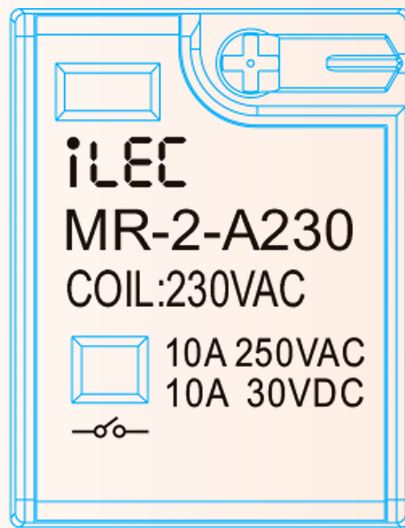
MR-2 (8 pins)



MR-4 (14 pins)



■ Product Marking



Compact design with transparent cover for clear visibility of internal operations.
Terminal layout printed directly on the case for convenient wiring and maintenance.

■ Applications

- Industrial control panels.
- PLC intermediate control & status monitoring circuits.
- Control of lights, fans, motors, contactors, and solenoid valves.

PRODUCT CATALOGUE

PYF Series Sockets

Product Appearance

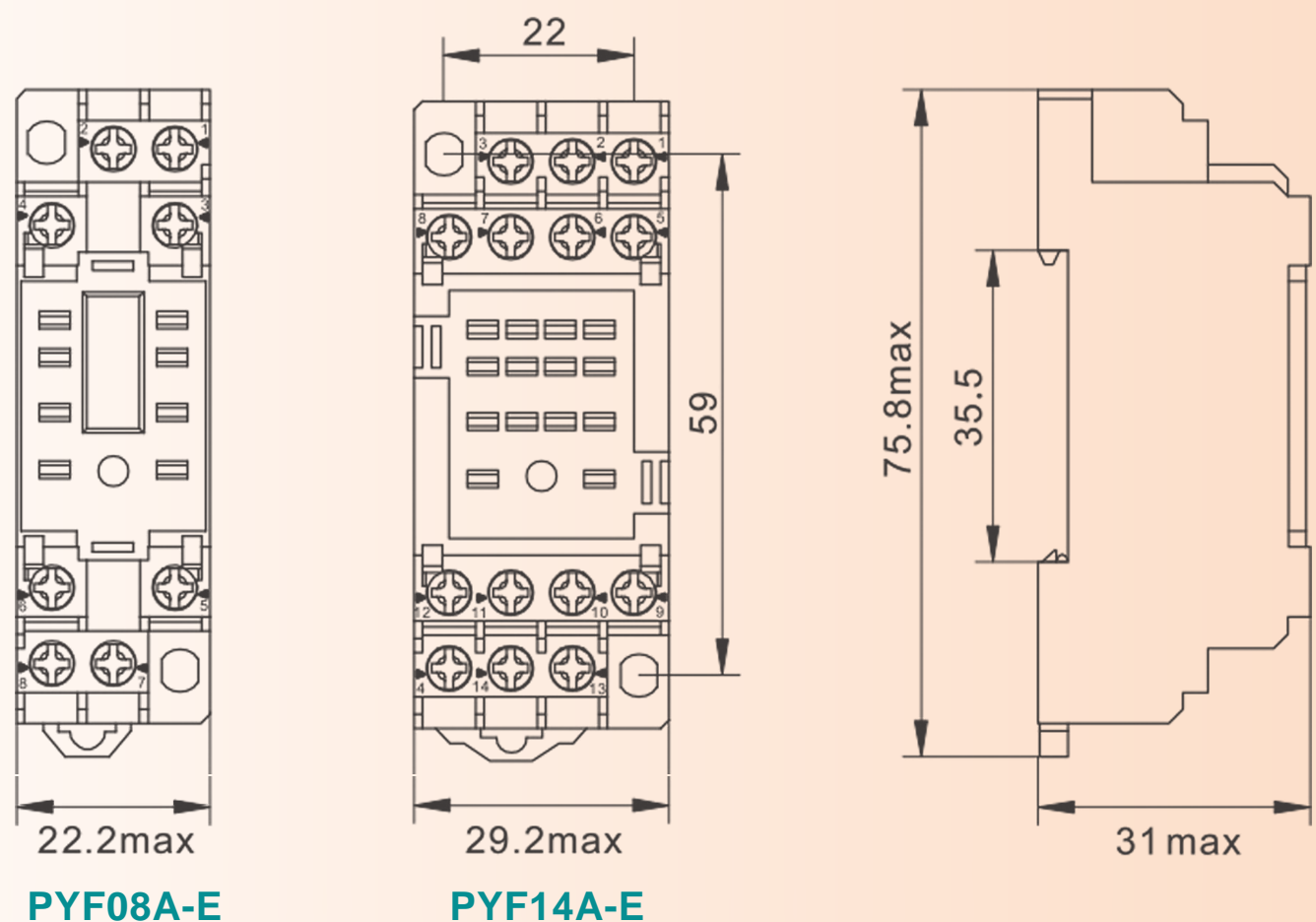
- Compact design with high-strength, insulated, and flame-retardant engineering plastic.
- Dual-side screw terminal wiring for effortless relay replacement.
- DIN rail and screw mounting support for convenient wiring and panel maintenance.
- Terminal layout printed directly on the housing for fast and accurate wiring.
- PYF08A-E is compatible with MR-2 and standard 8-pin intermediate relays.
- PYF14A-E is compatible with MR-4 and standard 14-pin intermediate relays.



Technical Specifications

Model	PYF08A-E	PYF14A-E
Number of Positions	8 pins	14 pins
Load Current/Voltage	12A 300VAC	7A 300VAC
Dielectric Strength Voltage	2kV	2kV
Wire size (AWG/mm ²)	20-16/0.5-1.5	20-16/0.5-1.5
Tightening Torque (Nn)	0.7	0.7
Terminal Ingress Protection	IP20	IP20
Compatible Relay	MR-2 series relays	MR-4 series Relays
Product Size	22 x 75.5 x 31 (mm)	29 x 75.5 x 31 (mm)
Mounting Hole Pitch	15 x 59 (mm)	22 x 59 (mm)
Screw Size	2 x M4~M10	2 x M4~M10
Weight	33g	52g

Dimensions (mm)

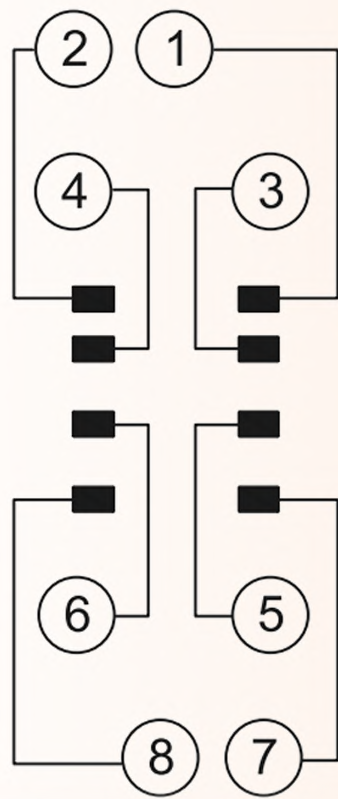


PRODUCT CATALOGUE

■ Connection Diagrams

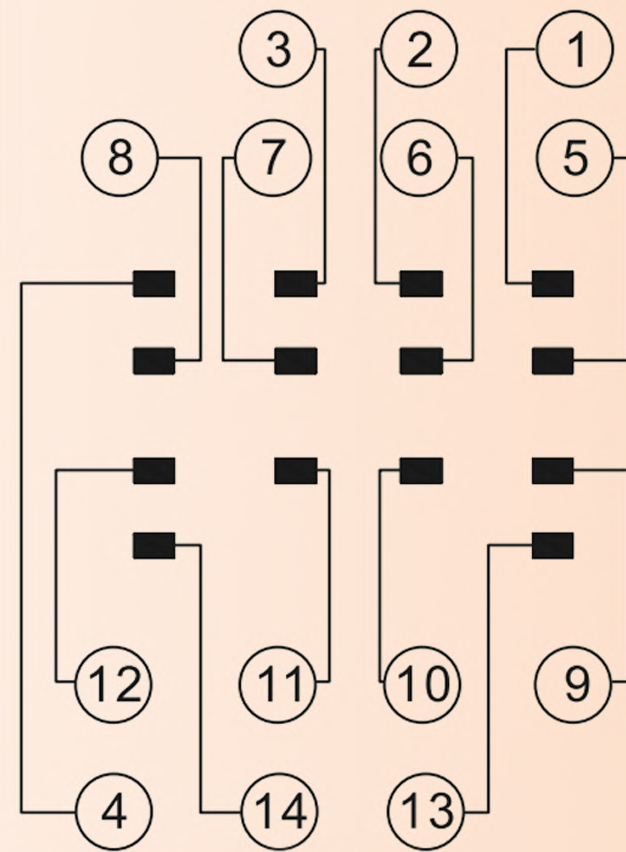
PYF08A-E

NC: (2) (1)
 NO: (4) (3)
 COM: (6) (5)
 A1 A2: (8) (7)

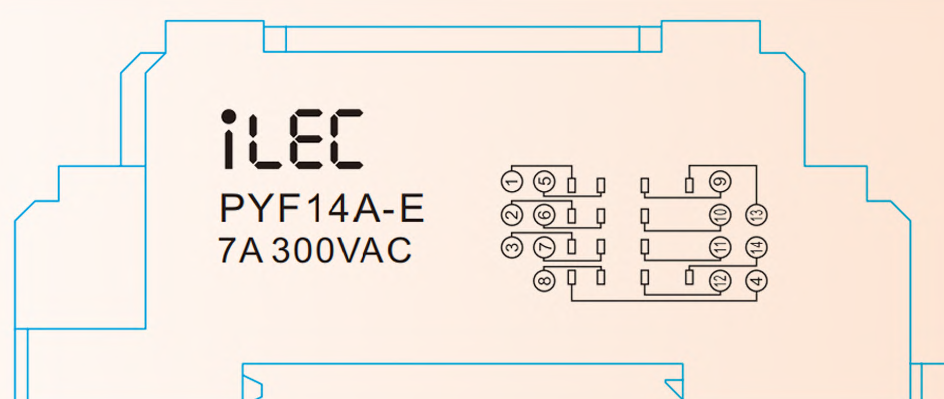
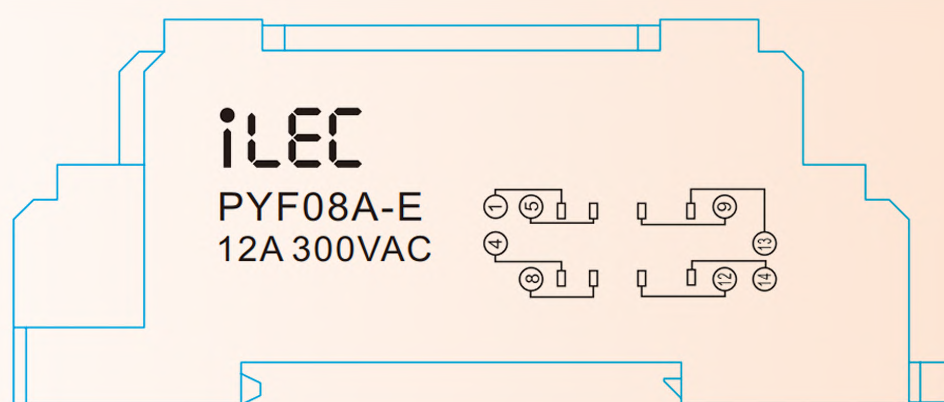


PYF14A-E

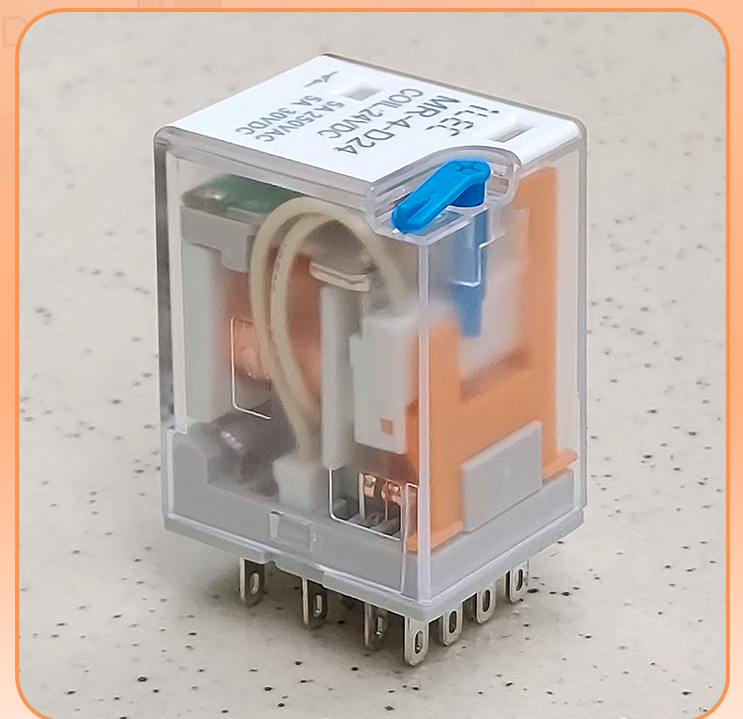
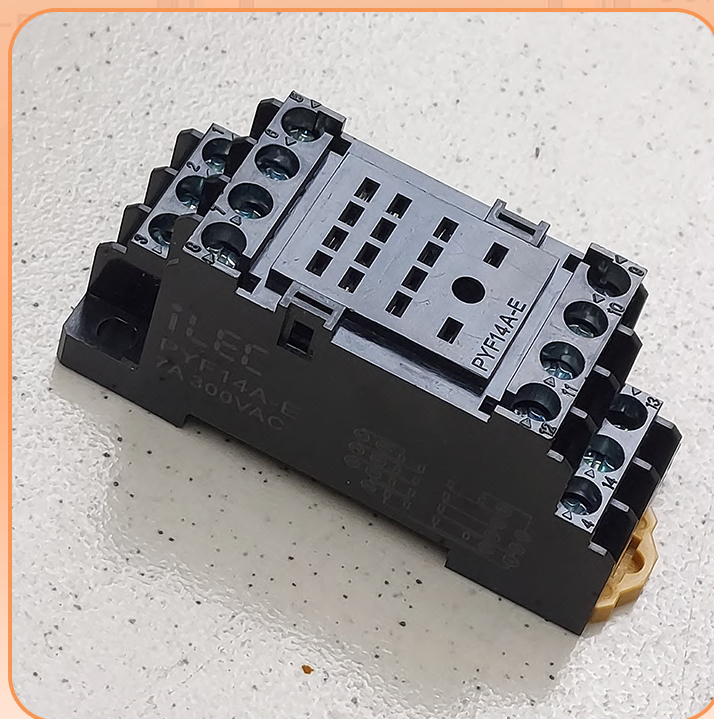
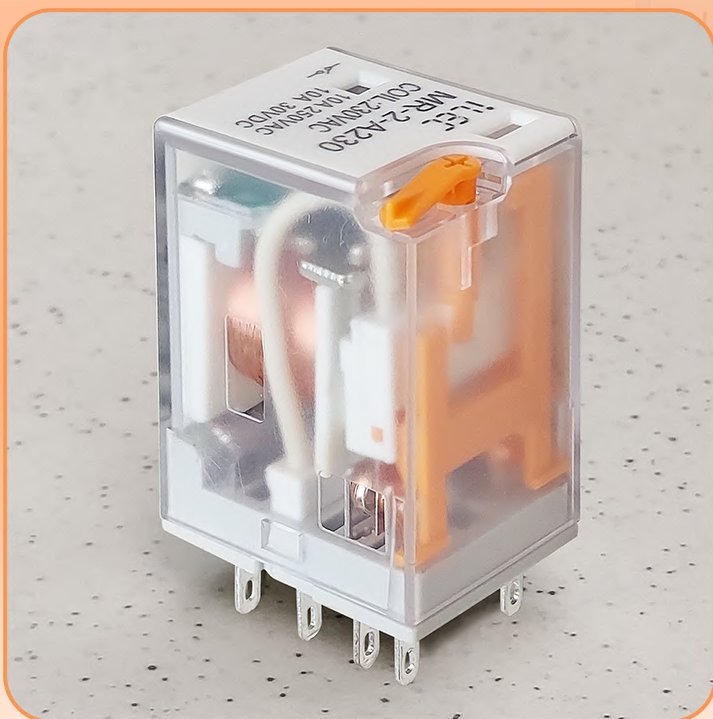
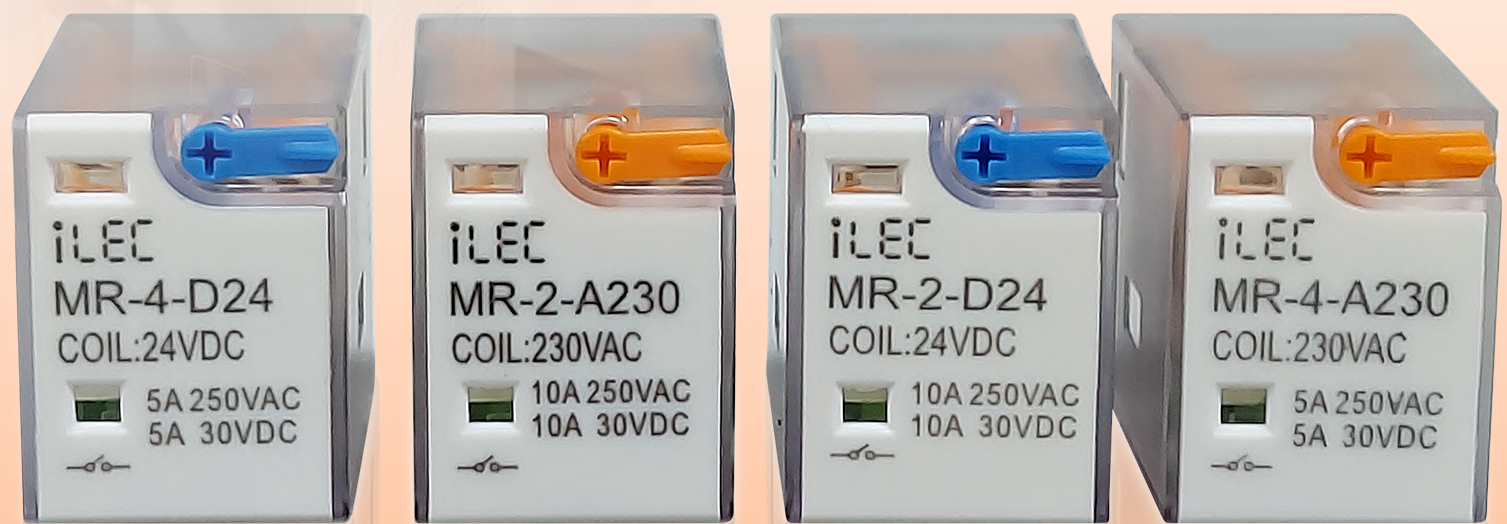
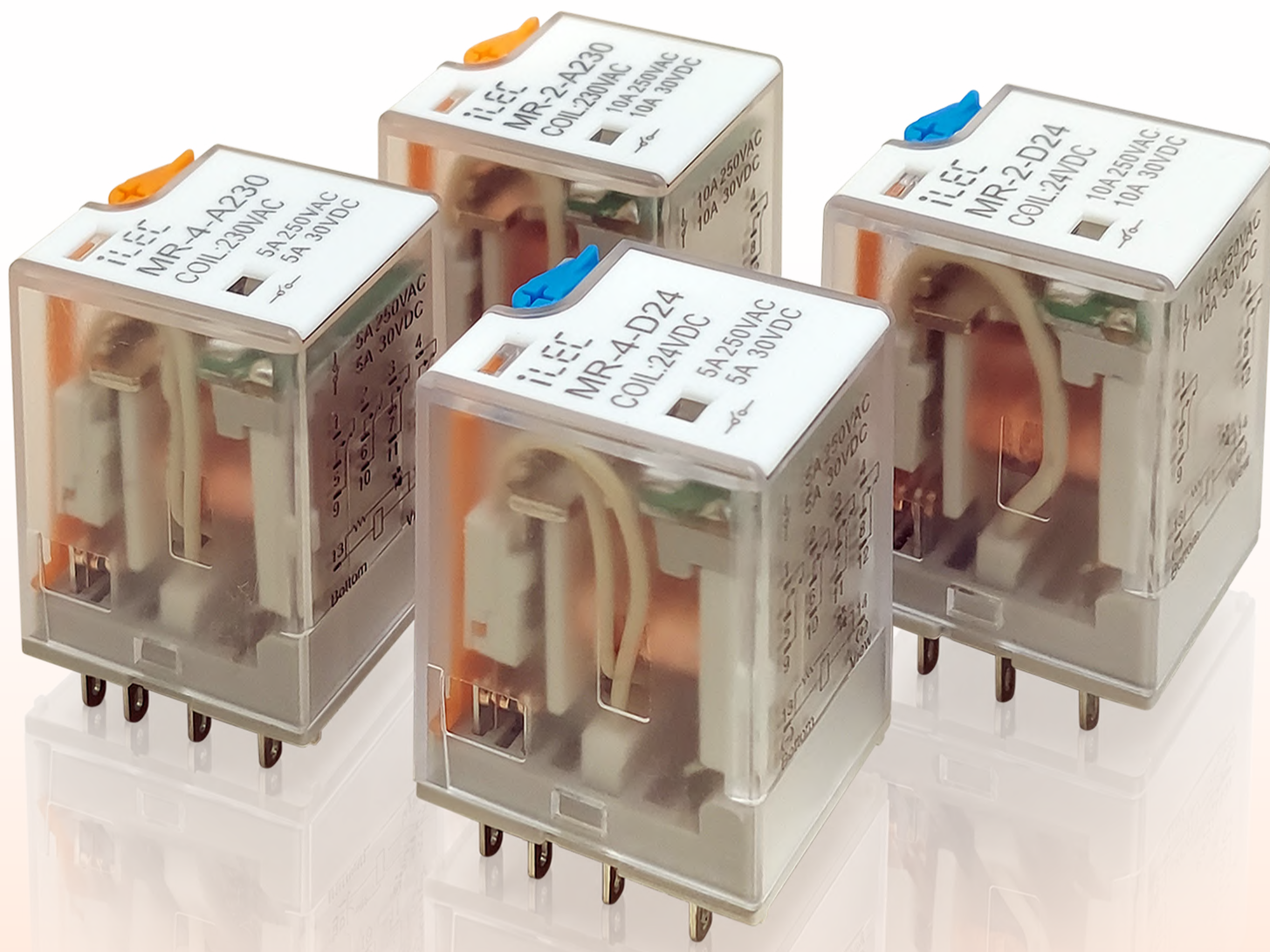
NC: (4) (3) (2) (1)
 NO: (8) (7) (6) (5)
 COM: (12) (11) (10) (9)
 A1 A2: (14) (13)



■ Product Marking



PRODUCT CATALOGUE



ILEC ELECTRIC EQUIPMENT CO., LTD

Address: 76 street No. 20, Tan Binh Industrial Park Expansion, Binh Hung Hoa Ward, HCMC.

Tax code: 0313550072 - Tel: (84-28) 37657746

Email: admin@ilec.com.vn - Website: ilec.com.vn - Facebook: ilec.com.vn

